

CENTER SUPPORT FITTINGS

HFC01



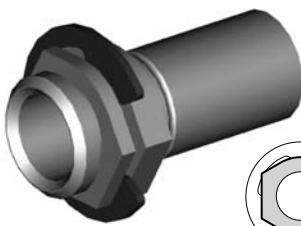
MATERIAL	WIDTH	OAL	FITS
Steel	17mm	33mm	A

HFC02



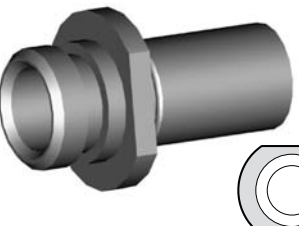
MATERIAL	WIDTH	OAL	FITS
Steel	17mm	34mm	A

HFC06



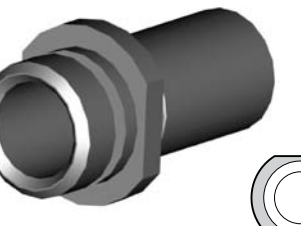
MATERIAL	WIDTH	OAL	FITS
Steel	17mm	34mm	A

HFC07



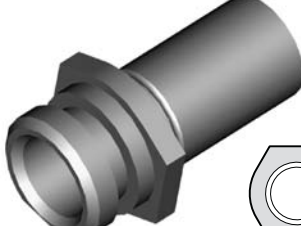
MATERIAL	WIDTH	OAL	FITS
Steel	19mm	35mm	A

HFC09



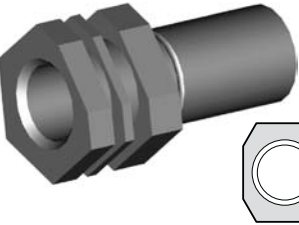
MATERIAL	WIDTH	OAL	FITS
Steel	17mm	34mm	A

HFC10



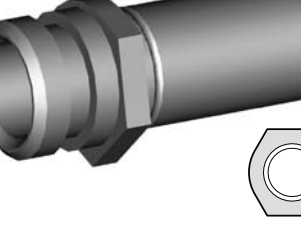
MATERIAL	WIDTH	OAL	FITS
Steel	19mm	35mm	A

HFC11



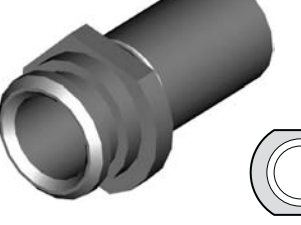
MATERIAL	WIDTH	OAL	FITS
Steel	19mm	37mm	A

HFC12



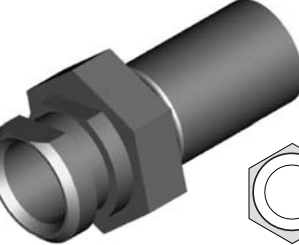
MATERIAL	WIDTH	OAL	FITS
Steel	17mm	35mm	A

HFC13



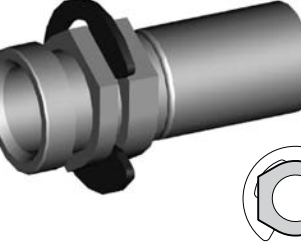
MATERIAL	WIDTH	OAL	FITS
Steel	17mm	33mm	A

HFC15



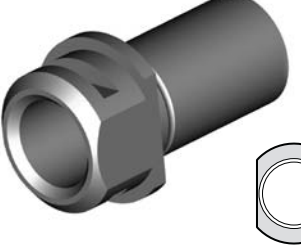
MATERIAL	WIDTH	OAL	FITS
Steel	19mm	37mm	A

HFC17



MATERIAL	WIDTH	OAL	FITS
Steel	16mm	37mm	US

HFC301



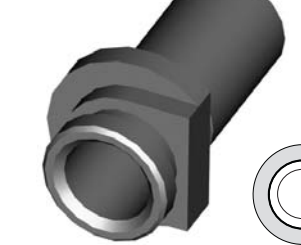
MATERIAL	WIDTH	OAL	FITS
Steel	20mm	33mm	EU

HFC307



MATERIAL	WIDTH	OAL	FITS
Steel	19mm	36mm	US

HFC315



MATERIAL	WIDTH	OAL	FITS
Steel	22mm	34mm	A

HFC327



MATERIAL	WIDTH	OAL	FITS
Steel	21mm	37mm	US

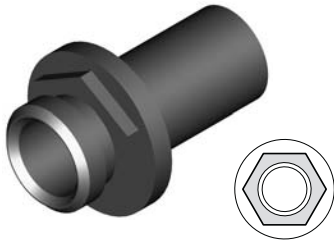
CLIP MOUNT

A = Asian EU = European US = United States UNI = Universal V = Various

CENTER SUPPORT FITTINGS

CLIP MOUNT

HFC331



MATERIAL	WIDTH	OAL	FITS
Steel	33mm	34mm	A

HFC04



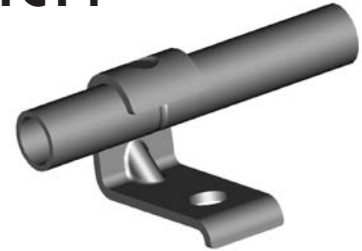
MATERIAL	WIDTH	OAL	FITS
Steel	39mm	30mm	A

HFC05



MATERIAL	WIDTH	OAL	FITS
Steel	20mm	30mm	A

HFC14



MATERIAL	WIDTH	OAL	FITS
Steel	33mm	80mm	US

HFC18



MATERIAL	WIDTH	OAL	FITS
Steel	24mm	48mm	US

HFC19



MATERIAL	WIDTH	OAL	FITS
Steel	24mm	48mm	US

HFC316



MATERIAL	WIDTH	OAL	FITS
Steel	22mm	36mm	A

BRACKET MOUNT

HFC317



MATERIAL	WIDTH	OAL	FITS
Steel	45mm	48mm	A

HFC318



MATERIAL	WIDTH	OAL	FITS
Steel	45mm	48mm	A

HFC319



MATERIAL	WIDTH	OAL	FITS
Steel	45mm	50mm	A

HFC320



MATERIAL	WIDTH	OAL	FITS
Steel	45mm	50mm	A

HFC321



MATERIAL	WIDTH	OAL	FITS
Steel	55mm	50mm	A

HFC322



MATERIAL	WIDTH	OAL	FITS
Steel	40mm	42mm	A

A = Asian

EU = European

US = United States

UNI = Universal

V = Various

CENTER SUPPORT FITTINGS

BRACKET MOUNT

HFC323



MATERIAL	WIDTH	OAL	FITS
Steel	45mm	48mm	A

HFC324



MATERIAL	WIDTH	OAL	FITS
Steel	55mm	50mm	A

HFC325



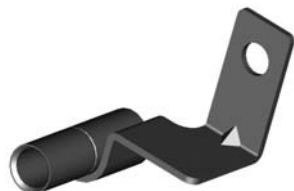
MATERIAL	WIDTH	OAL	FITS
Steel	40mm	42mm	A

HFC326



MATERIAL	WIDTH	OAL	FITS
Steel	45mm	48mm	A

HFC328



MATERIAL	WIDTH	OAL	FITS
Steel	45mm	50mm	A

HFC329



MATERIAL	WIDTH	OAL	FITS
Steel	45mm	50mm	A

A = Asian

EU = European

US = United States

UNI = Universal

V = Various