


METRIC FEMALE FITTINGS

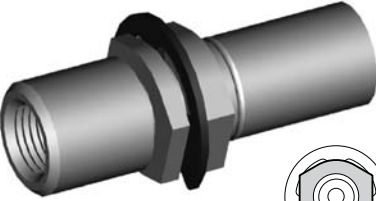
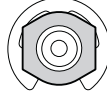
CLIP MOUNT

HFMF01



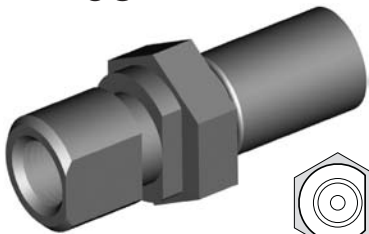
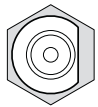
THREAD	SEAT	MOUNT	HEX	OAL	FITS
M10 x 1	Inverted	Clip	17mm	38mm	V

HFMF02

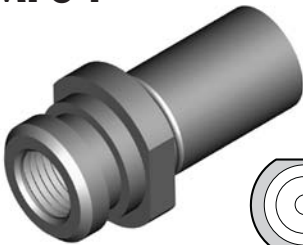
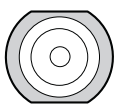
THREAD	SEAT	MOUNT	HEX	OAL	FITS
M10 x 1	Inverted	Clip	17mm	47mm	A

HFMF03

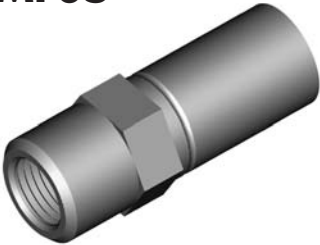
THREAD	SEAT	MOUNT	HEX	OAL	FITS
M10 x 1	DPS	Clip	19mm	46mm	A

HFMF04


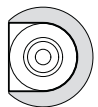
THREAD	SEAT	MOUNT	HEX	OAL	FITS
M10 x 1	Inverted	Clip	17mm	38mm	A

HFMF05



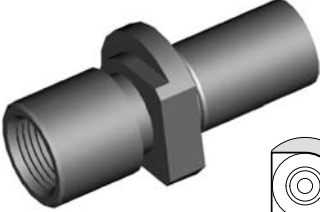
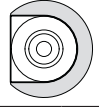
THREAD	SEAT	MOUNT	HEX	OAL	FITS
M10 x 1	DPS	Clip	14mm	38mm	EU

HFMF06


THREAD	SEAT	MOUNT	HEX	OAL	FITS
M10 x 1	Inverted	Clip	-	39mm	A

HFMF07

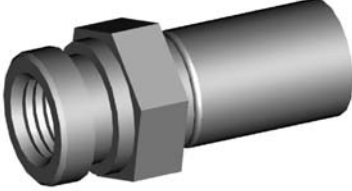
THREAD	SEAT	MOUNT	HEX	OAL	FITS
M12 x 1	Inverted	Clip	-	45mm	A

HFMF08




THREAD	SEAT	MOUNT	HEX	OAL	FITS
M10 x 1	DPS	Clip	17mm	41mm	V

HFMF09



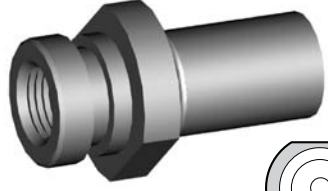
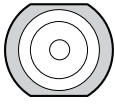
THREAD	SEAT	MOUNT	HEX	OAL	FITS
M10x1.25	Inverted	Clip	17mm	37mm	V

HFMF10



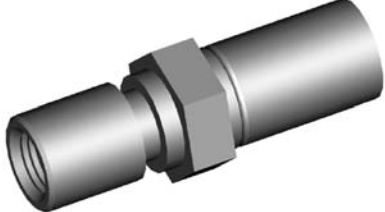
THREAD	SEAT	MOUNT	HEX	OAL	FITS
M12 x 1	Inverted	Clip	19mm	46mm	A

HFMF11

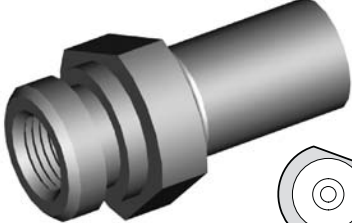
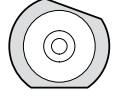
THREAD	SEAT	MOUNT	HEX	OAL	FITS
M10 x 1	Inverted	Clip	19mm	37mm	A

HFMF12



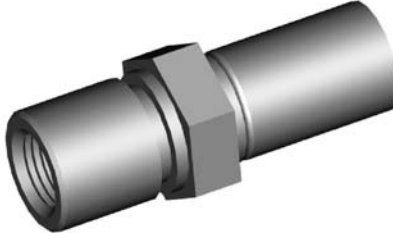
THREAD	SEAT	MOUNT	HEX	OAL	FITS
M9 x 1	Inverted	Clip	16mm	47mm	A

HFMF13


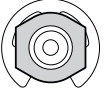
THREAD	SEAT	MOUNT	HEX	OAL	FITS
M10 x 1	Inverted	Clip	-	38mm	A

HFMF14



THREAD	SEAT	MOUNT	HEX	OAL	FITS
M10 x 1	Inverted	Clip	17mm	45mm	A

HFMF15

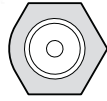
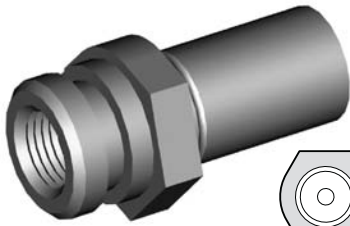



THREAD	SEAT	MOUNT	HEX	OAL	FITS
M10 x 1	Inverted	Clip	17mm	77mm	A

A = Asian EU = European US = United States UNI = Universal V = Various

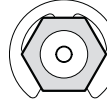
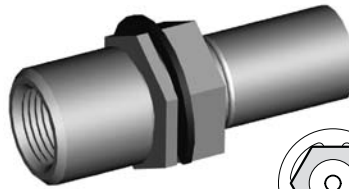
METRIC FEMALE FITTINGS

HFMF16



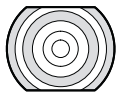
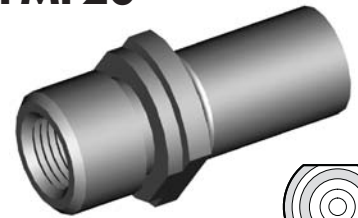
THREAD	SEAT	MOUNT	HEX	OAL	FITS
M10 x 1	Inverted	Clip	19mm	37mm	V

HFMF19



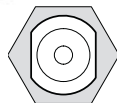
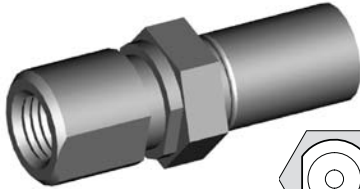
THREAD	SEAT	MOUNT	HEX	OAL	FITS
M12 x 1	Inverted	Clip	19mm	47mm	A

HFMF20



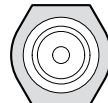
THREAD	SEAT	MOUNT	HEX	OAL	FITS
M10 x 1	Inverted	Clip	17mm	38mm	A

HFMF21



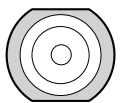
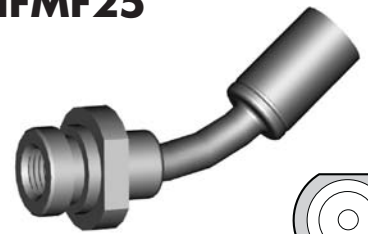
THREAD	SEAT	MOUNT	HEX	OAL	FITS
M10x1.25	DPS	Clip	17mm	47mm	EU

HFMF24



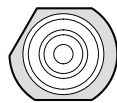
THREAD	SEAT	MOUNT	HEX	OAL	FITS
M10 x 1	DPS	Clip	19mm	38mm	V

HFMF25



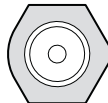
THREAD	SEAT	MOUNT	HEX	OAL	FITS
M10 x 1	Inverted	Clip	19mm	70mm	A

HFMF26



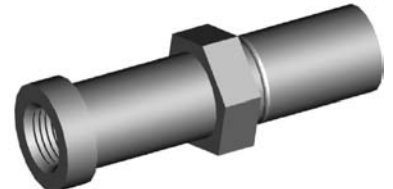
THREAD	SEAT	MOUNT	HEX	OAL	FITS
M10 x 1	Inverted	Clip	17mm	38mm	A

HFMF28



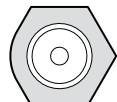
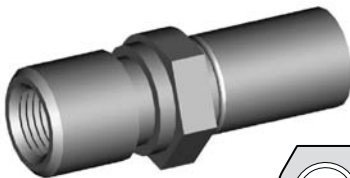
THREAD	SEAT	MOUNT	HEX	OAL	FITS
M10 x 1	Inverted	Clip	17mm	37mm	V

HFMF29



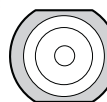
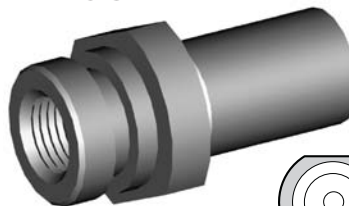
THREAD	SEAT	MOUNT	HEX	OAL	FITS
M10 x 1	Inverted	-	17mm	54mm	A

HFMF31



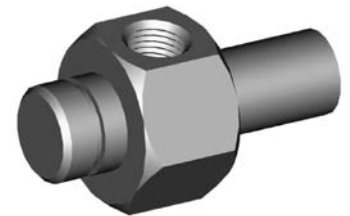
THREAD	SEAT	MOUNT	HEX	OAL	FITS
M10 x 1	Inverted	Clip	17mm	45mm	V

HFMF35



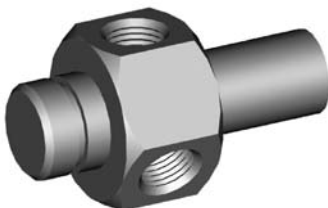
THREAD	SEAT	MOUNT	HEX	OAL	FITS
M10 x 1	DPS	Clip	19mm	37mm	A

HFMF36



THREAD	SEAT	MOUNT	HEX	OAL	FITS
M10x1-(2)	Inverted	Clip	26mm	50mm	A

HFMF37



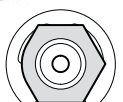
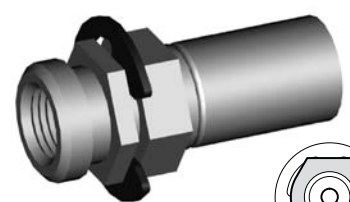
THREAD	SEAT	MOUNT	HEX	OAL	FITS
M10x1-(2)	Inverted	Clip	26mm	50mm	A

HFMF38



THREAD	SEAT	MOUNT	HEX	OAL	FITS
M10 x 1	DPS	Clip	16mm	37mm	US

HFMF39



THREAD	SEAT	MOUNT	HEX	OAL	FITS
M10 x 1	DPS	Clip	16mm	39mm	US

CLIP MOUNT

A = Asian

EU = European

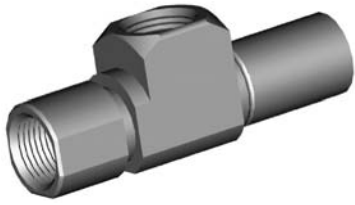
US = United States

UNI = Universal

V = Various

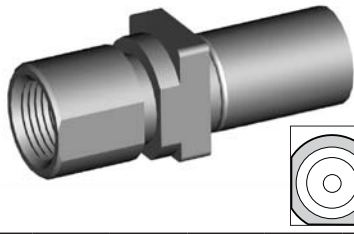
METRIC FEMALE FITTINGS

HFMF42



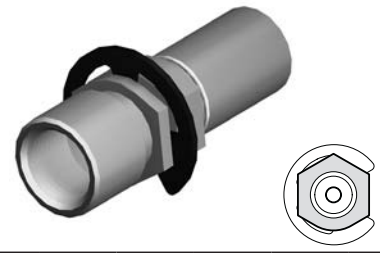
THREAD	SEAT	MOUNT	HEX	OAL	FITS
M12 x 1	Inverted	Clip	-	57mm	US

HFMF43



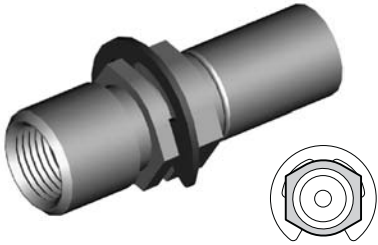
THREAD	SEAT	MOUNT	HEX	OAL	FITS
M12 x 1	Inverted	Clip	-	45mm	US

HFMF47



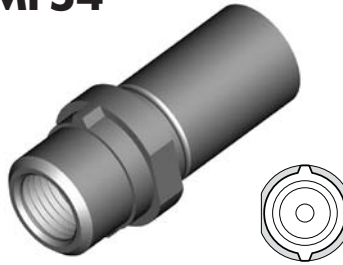
THREAD	SEAT	MOUNT	HEX	OAL	FITS
M12x1	DPS	Clip	16mm	46mm	US

HFMF51



THREAD	SEAT	MOUNT	HEX	OAL	FITS
M12 x 1	DPS	Clip	16mm	47mm	US

HFMF54



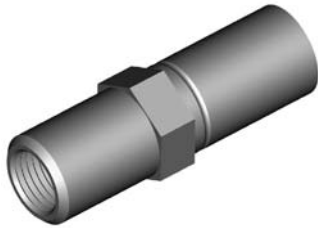
THREAD	SEAT	MOUNT	HEX	OAL	FITS
M10 x 1	DPS	Clip	15.5mm	37mm	EU

HFMF55



THREAD	SEAT	MOUNT	HEX	OAL	FITS
M10 x 1	DPS	Clip	19mm	46mm	V

HFMF56



THREAD	SEAT	MOUNT	HEX	OAL	FITS
M10x1.25	DPS	Clip	14mm	45mm	EU

HFMF57



THREAD	SEAT	MOUNT	HEX	OAL	FITS
M12x1.25	DPS	Clip	19mm	46mm	EU

HFMF58



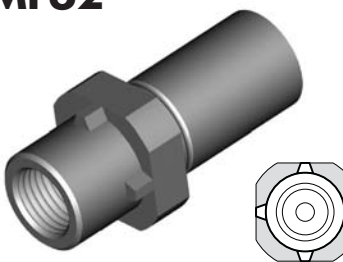
THREAD	SEAT	MOUNT	HEX	OAL	FITS
M10 x 1	DPS	Clip	17mm	54mm	V

HFMF59



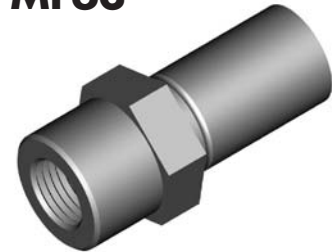
THREAD	SEAT	MOUNT	HEX	OAL	FITS
M10 x 1	DPS	Clip	17mm	38mm	EU

HFMF62



THREAD	SEAT	MOUNT	HEX	OAL	FITS
M10 x 1	DPS	Clip	17mm	39mm	EU

HFMF63



THREAD	SEAT	MOUNT	HEX	OAL	FITS
M10 x 1	DPS	Clip	17mm	39mm	EU

HFMF65



THREAD	SEAT	MOUNT	HEX	OAL	FITS
M10 x 1	DPS	Clip	17mm	39mm	A

HFMF66



THREAD	SEAT	MOUNT	HEX	OAL	FITS
M10 x 1	Inverted	Clip	-	36mm	US

HFMF67



THREAD	SEAT	MOUNT	HEX	OAL	FITS
M10 x 1	DPS	Clip	16mm	46mm	US

CLIP MOUNT

A = Asian

EU = European

US = United States

UNI = Universal

V = Various

METRIC FEMALE FITTINGS

HFMF68

THREAD	SEAT	MOUNT	HEX	OAL	FITS
M10 x 1	Inverted	Clip	16mm	37mm	US

HFMF71

THREAD	SEAT	MOUNT	HEX	OAL	FITS
M10 x 1	DPS	Clip	17mm	39mm	EU

HFMF73

THREAD	SEAT	MOUNT	HEX	OAL	FITS
M10x1	DPS	Clip	17mm	-	US

HFMF74

THREAD	SEAT	MOUNT	HEX	OAL	FITS
M10x1	DPS	Clip	17mm	-	US

HFMF100

THREAD	SEAT	MOUNT	HEX	OAL	FITS
M10 x 1	DPS	Clip	17mm	39mm	EU

HFMF305

THREAD	SEAT	MOUNT	HEX	OAL	FITS
M10 x 1	DPS	Clip	15mm	37mm	EU

HFMF307

THREAD	SEAT	MOUNT	HEX	OAL	FITS
M10 x 1	Inverted	Clip	17mm	46mm	A

HFMF308

THREAD	SEAT	MOUNT	HEX	OAL	FITS
M10 x 1	Inverted	Clip	19mm	89mm	A

HFMF315

THREAD	SEAT	MOUNT	HEX	OAL	FITS
M10 x 1	DPS	Clip	17mm	36mm	A

HFMF316

THREAD	SEAT	MOUNT	HEX	OAL	FITS
M10 x 1	DPS	Clip	17mm	36mm	A

HFMF327

THREAD	SEAT	MOUNT	HEX	OAL	FITS
M10 x 1	DPS	Clip	-	39mm	A

HFMF329

THREAD	SEAT	MOUNT	HEX	OAL	FITS
M10 x 1	DPS	Clip	17mm	38mm	A

HFMF333

THREAD	SEAT	MOUNT	HEX	OAL	FITS
M10 x 1	Inverted	Clip	17mm	41mm	A

HFMF340

THREAD	SEAT	MOUNT	HEX	OAL	FITS
M10 x 1	DPS	Clip	15mm	37mm	EU

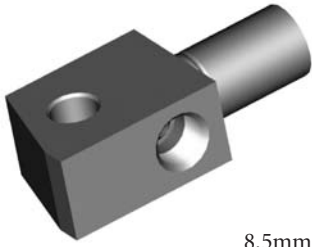
CLIP MOUNT

A = Asian EU = European US = United States UNI = Universal V = Various

METRIC FEMALE FITTINGS

BOLT ON MOUNT

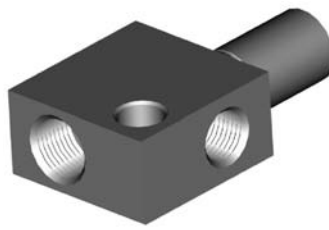
HFMF18



8.5mm Hole

THREAD	SEAT	MOUNT	HOLE	OAL	FITS
M10x1-(2)	Inverted	Bolted	8.5mm	55mm	A

HFMF30



8.5mm Hole

THREAD	SEAT	MOUNT	HOLE	OAL	FITS
M12x1-10xl	Inverted	Bolted	8.5mm	54mm	A

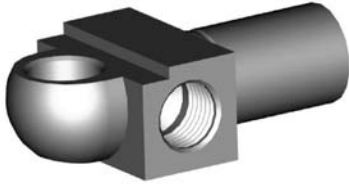
HFMF48



8.75mm Hole

THREAD	SEAT	MOUNT	HOLE	OAL	FITS
M10 x 1	Inverted	Bolted	8.75mm	53mm	A

HFMF50



8/10mm Hole

THREAD	SEAT	MOUNT	HOLE	OAL	FITS
M10x1-(2)	DPS	Bolted	8/10mm	48mm	US

HFMF69



6.4mm Hole

THREAD	SEAT	MOUNT	HOLE	OAL	FITS
M10 x 1	Inverted	Bolted	6.4mm	62mm	A

HFMF322

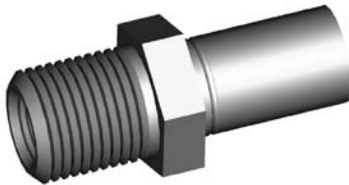


M8 x 1.25

THREAD	SEAT	MOUNT	HOLE	OAL	FITS
M10 x 1	Inverted	Bolted	M8 x 1.25	42mm	A

BULKHEAD MOUNT

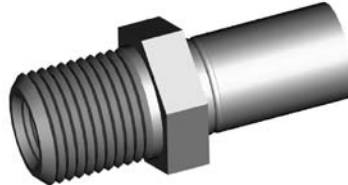
HFMFX01



5/8NF External Thread

THREAD	SEAT	MOUNT	HEX	OAL	FITS
M10 x 1	Inverted	Bulkhead	19mm	45mm	V

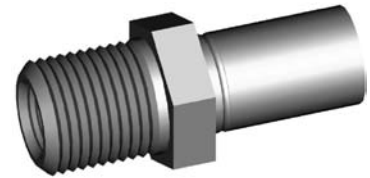
HFMFX02



5/8NF External Thread

THREAD	SEAT	MOUNT	HEX	OAL	FITS
M10x1.25	Inverted	Bulkhead	19mm	45mm	V

HFMFX04

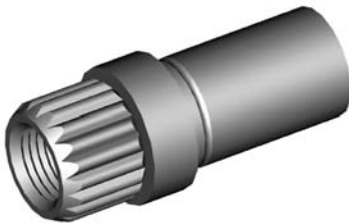


5/8NF External Thread

THREAD	SEAT	MOUNT	HEX	OAL	FITS
M10 x 1	DPS	Bulkhead	19mm	45mm	V

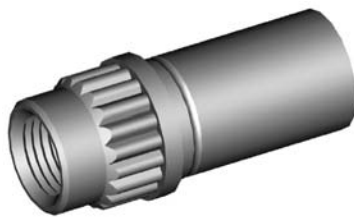
SPLINE MOUNT

HFMF22



THREAD	SEAT	MOUNT	HEX	OAL	FITS
M10 x 1	DPS	Spline	-	39mm	EU

HFMF27



THREAD	SEAT	MOUNT	HEX	OAL	FITS
M10 x 1	DPS	Spline	-	36mm	EU

A = Asian

EU = European

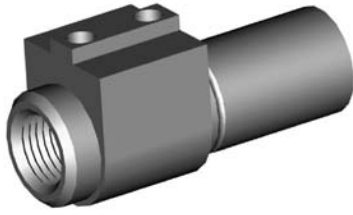
US = United States

UNI = Universal

V = Various

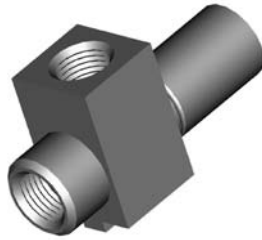
METRIC FEMALE FITTINGS

HFMF40



THREAD	SEAT	MOUNT	HEX	OAL	FITS
M10 x 1	DPS	Bracket	-	42mm	US

HFMF41



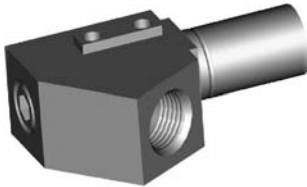
THREAD	SEAT	MOUNT	HEX	OAL	FITS
M10x1-(2)	DPS	Bracket	-	44mm	US

HFMF70



THREAD	SEAT	MOUNT	HEX	OAL	FITS
M10x1-(2)	DPS	Bracket	-	54mm	US

HFMF311



THREAD	SEAT	MOUNT	HEX	OAL	FITS
M12 x 1	DPS	Bracket	-	55mm	US

HFMF312



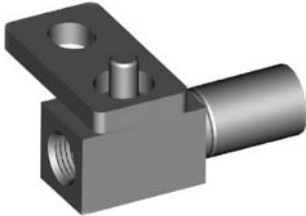
THREAD	SEAT	MOUNT	HEX	OAL	FITS
M10 x 1	DPS	Bracket	-	55mm	US

HFMF313



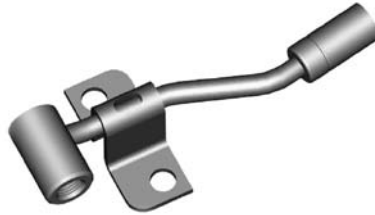
THREAD	SEAT	MOUNT	HEX	OAL	FITS
M12 x 1	DPS	Bracket	-	48mm	US

HFMF317



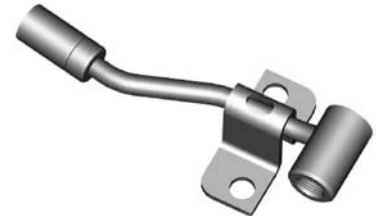
THREAD	SEAT	MOUNT	HEX	OAL	FITS
M10 x 1	Inverted	Bracket	-	48mm	A

HFMF318



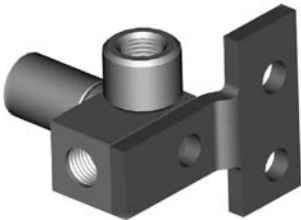
THREAD	SEAT	MOUNT	HEX	OAL	FITS
M10 x 1	Inverted	Bracket	-	115mm	A

HFMF319



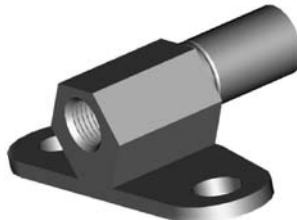
THREAD	SEAT	MOUNT	HEX	OAL	FITS
M10 x 1	Inverted	Bracket	-	115mm	A

HFMF320



THREAD	SEAT	MOUNT	HEX	OAL	FITS
M10 x 1	Inverted	Bracket	-	38mm	A

HFMF324



THREAD	SEAT	MOUNT	HEX	OAL	FITS
M10 x 1	Inverted	Bracket	-	46mm	A

HFMF325



THREAD	SEAT	MOUNT	HEX	OAL	FITS
M10 x 1	Inverted	Bracket	-	45mm	A

HFMF342



THREAD	SEAT	MOUNT	HEX	OAL	FITS
M10 x 1	Inverted	Bracket	-	100mm	A

HFMF343



THREAD	SEAT	MOUNT	HEX	OAL	FITS
M10 x 1	Inverted	Bracket	-	100mm	A

BRACKET MOUNT

A = Asian

EU = European

US = United States

UNI = Universal

V = Various